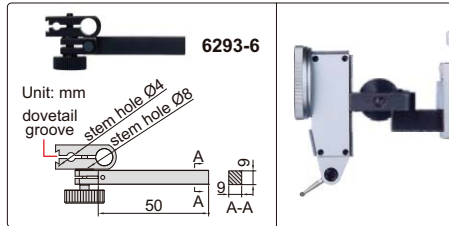


# VERNIER HEIGHT GAGES

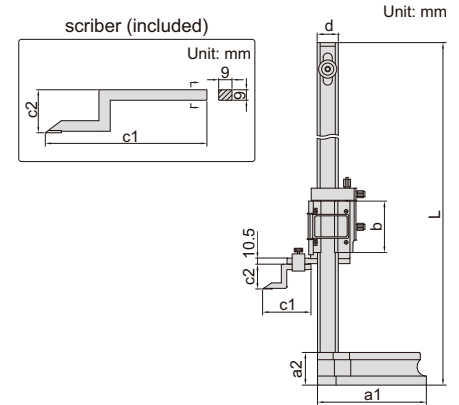
dial test indicator holder (optional)



- Graduation: 0.02mm/0.001"
- Adjustable main scale to set zero
- Carbide tipped scriber
- Made of stainless steel (except the base)
- Satin chrome plated scale
- Supplied with magnifier
- With fine adjustment
- Supplied with dust cover
- Optional accessory: dial test indicator holder (code **6293-6**), clamp for protractors (code **2372-CLAMP**)



**1250-300**



(mm)

Code	Range	Accuracy	L	a1	a2	b	c1	c2	d
<b>1250-300</b>	0-300mm/0-12"	±0.04mm	545	135	43	75	80	30	28
<b>1250-450</b>	0-450mm/0-18"	±0.05mm	720	180	54	85	80	41	35
<b>1250-600</b>	0-600mm/0-24"	±0.05mm	870	180	54	85	80	41	35

clamp for protractors (optional)

