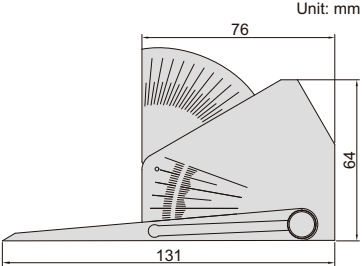
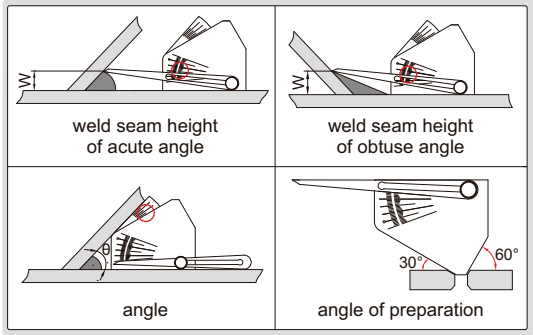


# FILLET WELDING GAGE



4846-1



- Calculating card is included
- Made of stainless steel

Code	Measurement	Range	Graduation	Accuracy
4846-1	weld seam height <b>W</b>	0-50mm/0-2"	2mm/0.05"	±1mm
	angle <b>θ</b>	30°-90°	2.5°	±1°
	60° angle	—	—	±0.5°

calculating card (included)

